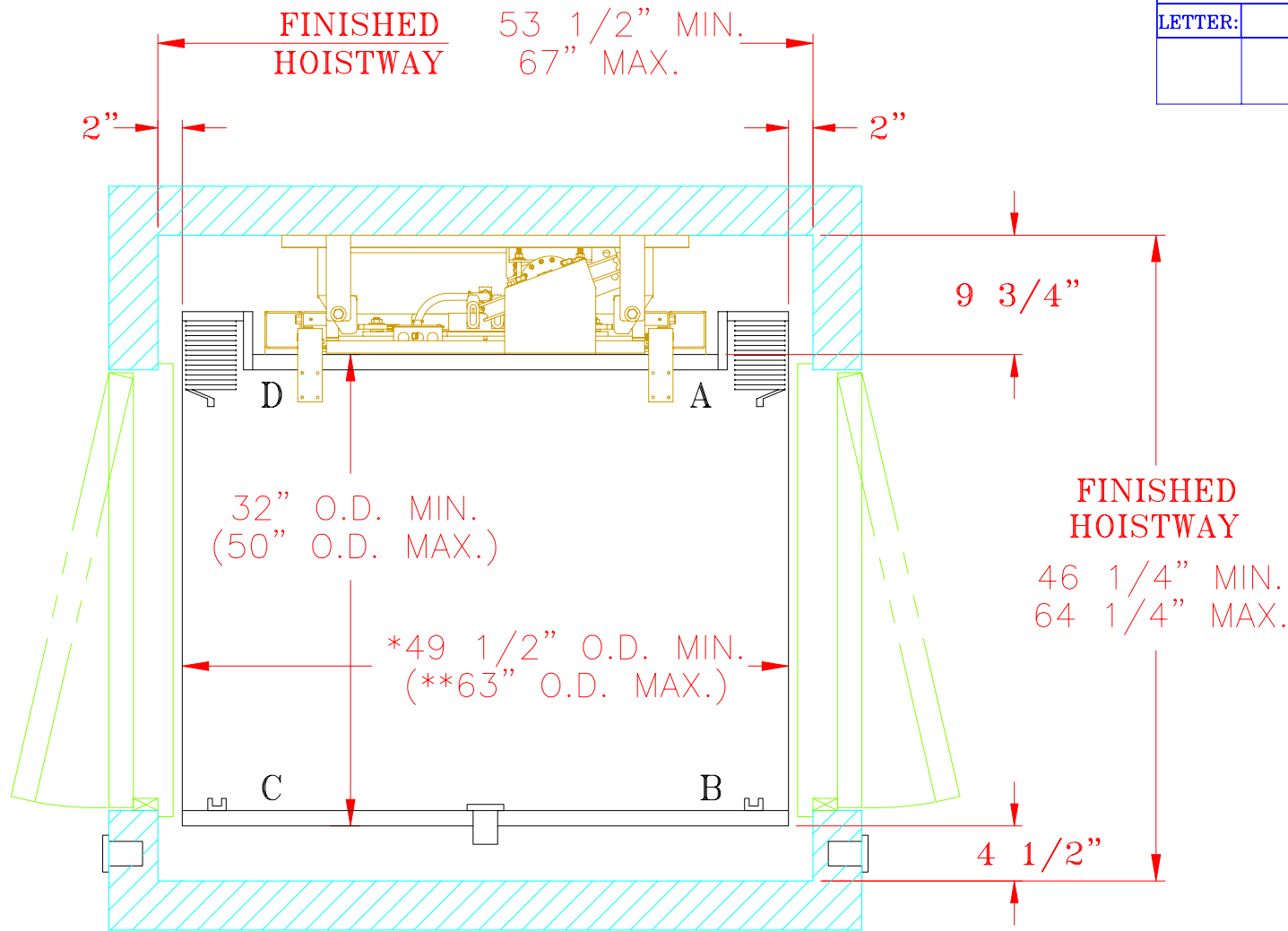


REVISIONS			
LETTER:	DESCRIPTION:	DATE:	BY:



*SINGLE OPENING - 42 3/4" O.D. MINIMUM
(RAIL IS NOT CENTERED IN HOISTWAY)

**SINGLE OPENING - 62 1/2" O.D. MAXIMUM

NOTE:

1. MIN. DA DIMS. REFLECT RAIL CENTERED IN HOISTWAY.
2. MIN. DA DIM. FOR CAB WITHOUT A RECESS IS 36" O.D.
3. CAB I.D. CAN NOT EXCEED 15 SQ. FT. FOR 1000 LB.

WC WAUPACA
ELEVATOR CO., INC.
1726 North Ballard Road
Appleton, WI 54911
Phone: 800-238-8739

Residential Elevators * Wheelchair-Compatible Elevators
RESIDENTIAL AND COMMERCIAL DUMBWAITERS

TITLE:
PACA RYDE 1000 LB.
MIN. & MAX. CAB DIMENSIONS

DRAWN BY: M.K.	SCALE: N.T.S.	DWG. NO:
APPD:	DATE: 1/31/08	C-002641