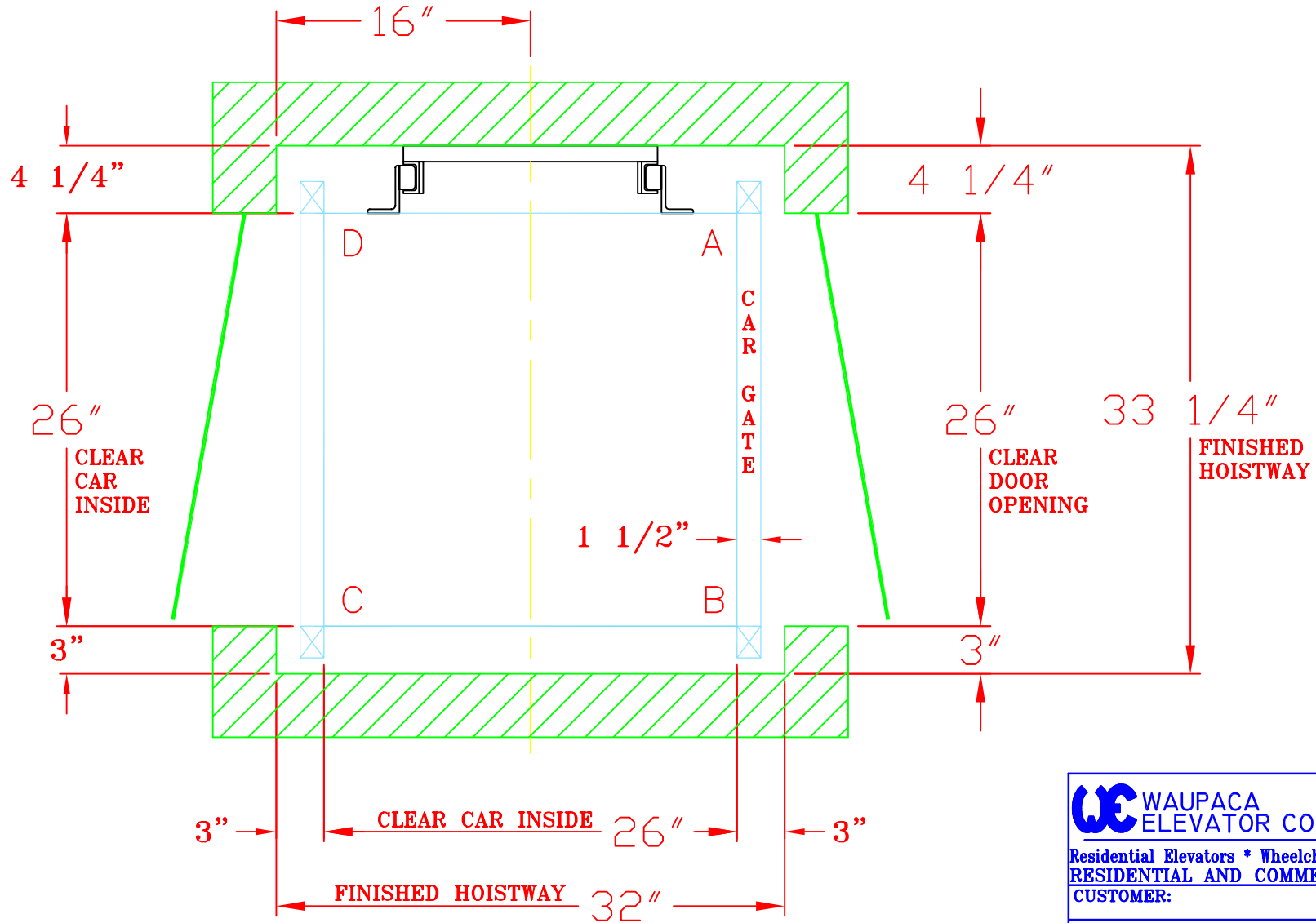


REVISIONS

LETTER:	DESCRIPTION:	DATE:	BY:



**WE WAUPACA ELEVATOR CO., INC.**  
 1726 North Ballard Road  
 Appleton, WI 54911  
 Phone: 800-238-8739

Residential Elevators \* Wheelchair-Compatible Elevators  
 RESIDENTIAL AND COMMERCIAL DUMBWAITERS

CUSTOMER: \_\_\_\_\_

CONTRACTOR: \_\_\_\_\_

TITLE: **PACAWAITER  
 HOISTWAY LAYOUT  
 OPP. OPENING W/ GATES**

QUOTE NUMBER: \_\_\_\_\_

DRAWN BY:	SCALE:	DWG. NO.
APPD:	DATE:	C-001232