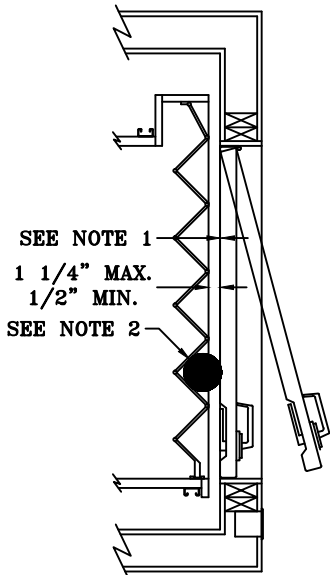
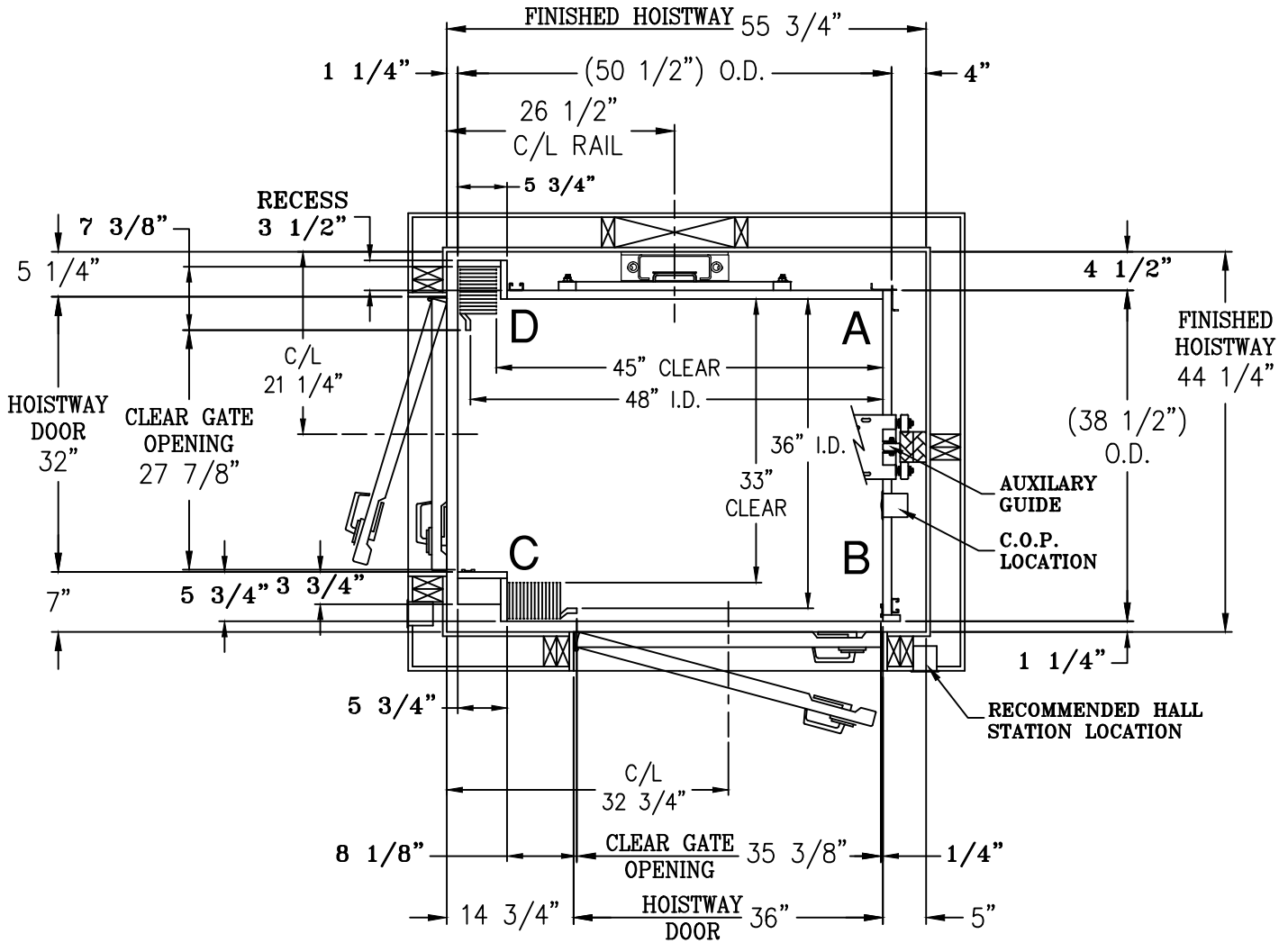


NOTE:

- 1) DISTANCE BETWEEN THE FACE OF THE HOISTWAY DOOR AND EDGE OF LANDING SILL SHALL NOT EXCEED 3/4".
- 2) MUST REJECT 4" DIAMETER BALL AT ALL POINTS WHEN HOISTWAY DOOR AND CAR DOOR ARE IN FULLY CLOSED POSITION.
- 3) HOISTWAY BY OTHERS PER CODE. WALLS TO BE PLUMB AND SQUARE. ALL HOISTWAY DOORS BY OTHERS PER CODE.
- 4) HOISTWAY DOOR INTERLOCKS BY OTHERS.
- 5) FINISHED HOISTWAY = ROUGH FRAMING + DRYWALL + PLASTER + PAINT.



**Waupaca**  
ELEVATOR COMPANY™

1726 North Ballard Road  
Appleton, WI 54911  
Phone: 800-238-8739

|   |       |                       |                 |
|---|-------|-----------------------|-----------------|
| ELEVATOR CONTRACTOR:                    |       |                       |                 |
| JOB NAME:                               |       | ORDER NUMBER:         |                 |
| <b>CUSTOM-LIFT SERIES</b>               |       |                       |                 |
| <b>500 LB. WINDING DRUM ELEVATOR</b>    |       |                       |                 |
| <b>DCR CB OPENING W/ ACCORDION GATE</b> |       |                       |                 |
| DRAWN BY:                               | DATE: | SIGNATURE OF APPROVAL | DWG. NO.        |
|   |       |                       | <b>C-002428</b> |