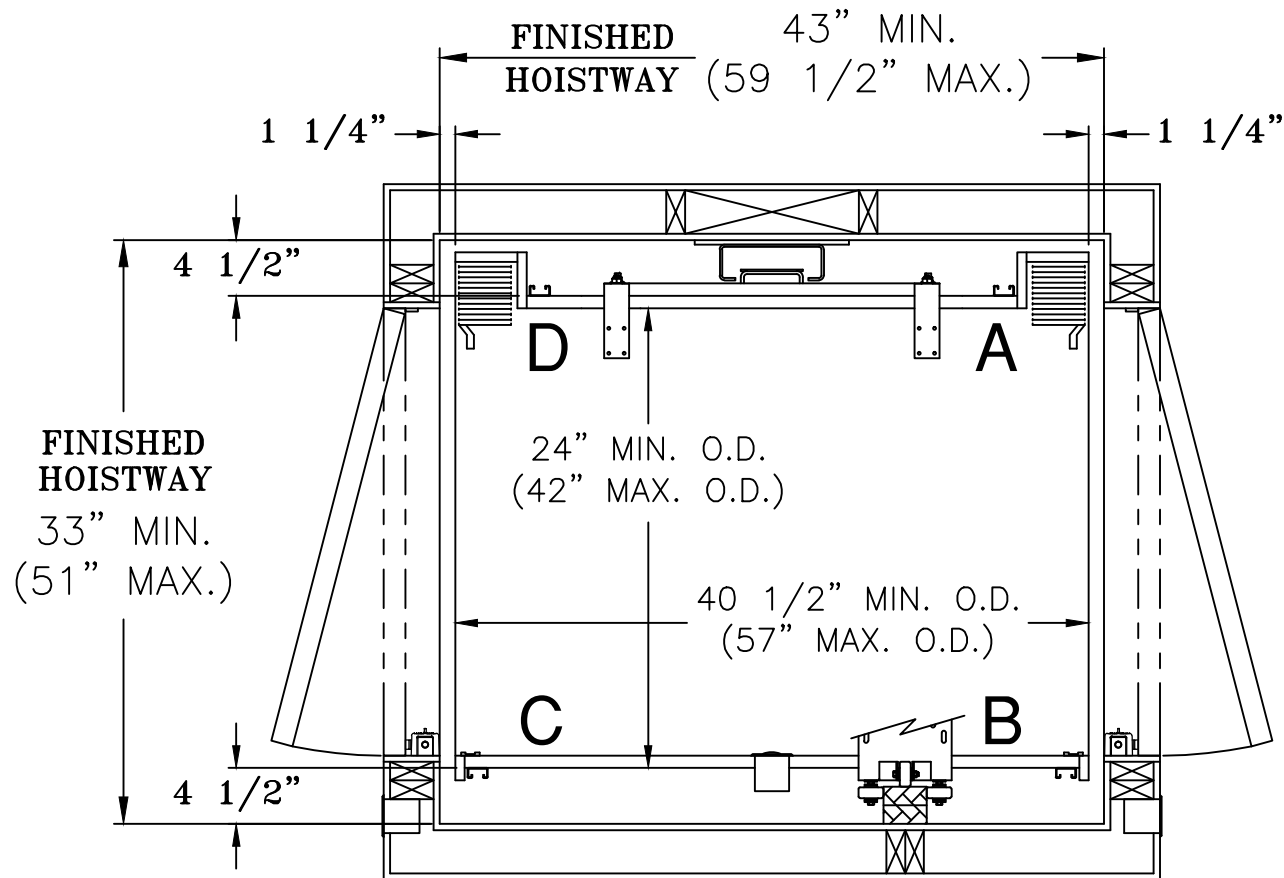


## CAB SIZES FOR 500 LB. WINDING DRUM



SINGLE OPENING - 36 1/4" O.D. MINIMUM  
(RAIL IS NOT CENTERED IN HOISTWAY)

## NOTE:

1. MIN. DA DIMS. REFLECT RAIL CENTERED IN HOISTWAY.
2. MIN. DA DIM. FOR CAB WITHOUT RECESS IS 24" O.D.
3. CAB CAN NOT EXCEED 12 SQ. FT.



1726 North Ballard Road  
Appleton, WI 54911  
Phone: 800-238-8739

**WINDING DRUM 500 LB.  
MIN. & MAX. CAB DIMENSIONS**

DRWN. BY: J.R. DATE: 4/19/06

DWG. NO. C-002042