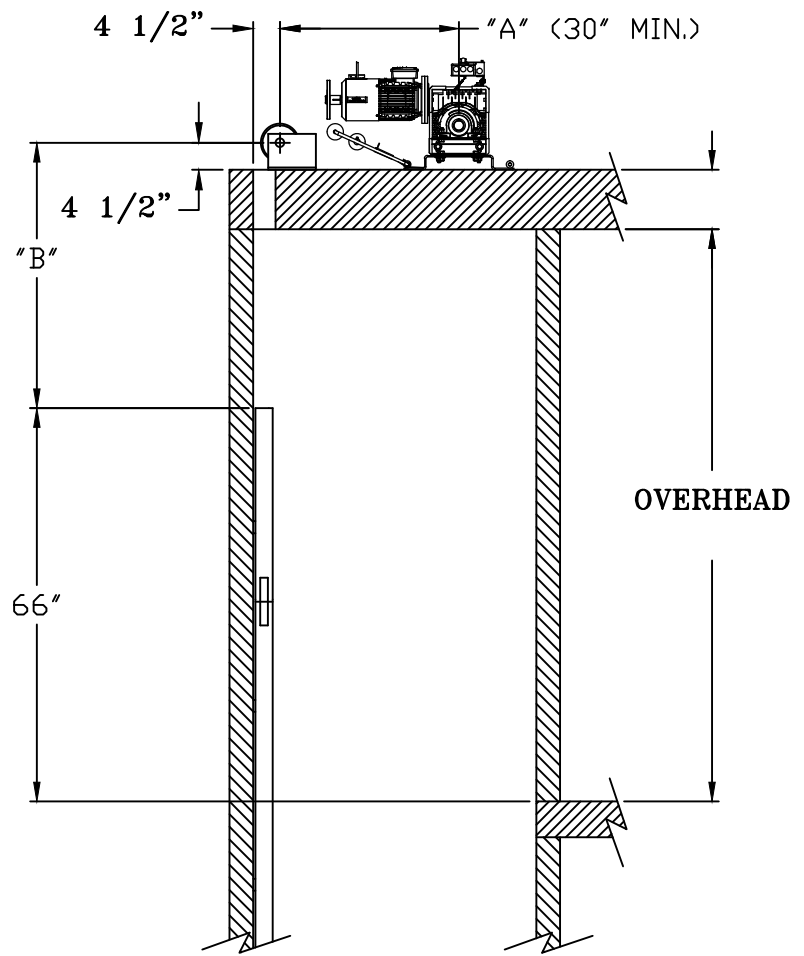


TRAVEL (FEET)	<14	<24	<32	<40	<50	REV. E
DRUM LENGTH (INCH)	8	12	15	18	22	
MIN. "A" + "B"	57	86	107	129	157	
MINIMUM FOR "A"	30	30	30	43	72	



Waupaca
ELEVATOR COMPANY™

1726 North Ballard Road
Appleton, WI 54911
Phone: 800-238-8739

ELEVATOR CONTRACTOR:			
JOB NAME:		ORDER NUMBER:	
CUSTOM-LIFT 500 LB. WINDING DRUM ELEVATOR OVERHEAD MACHINE ROOM			
DRAWN BY:	DATE:	SIGNATURE OF APPROVAL	DWG. NO. C-001932