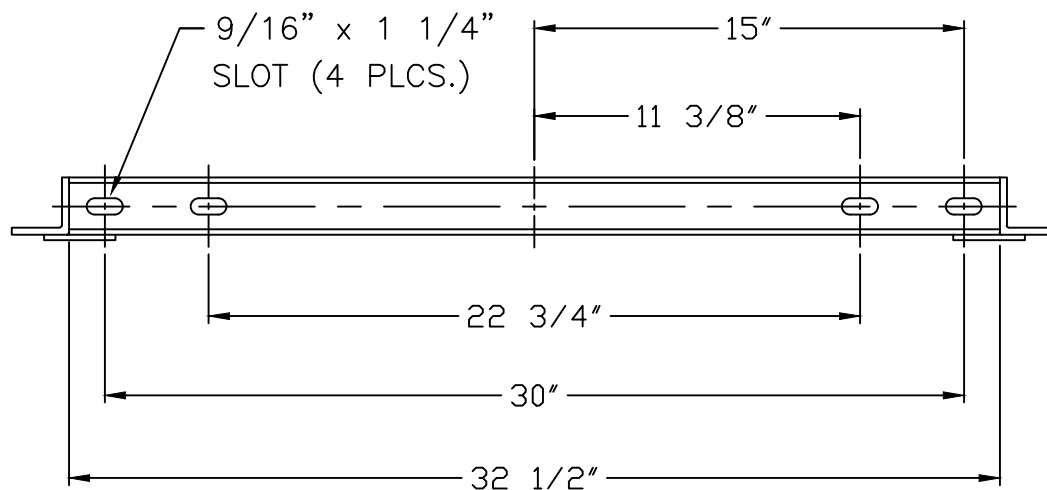
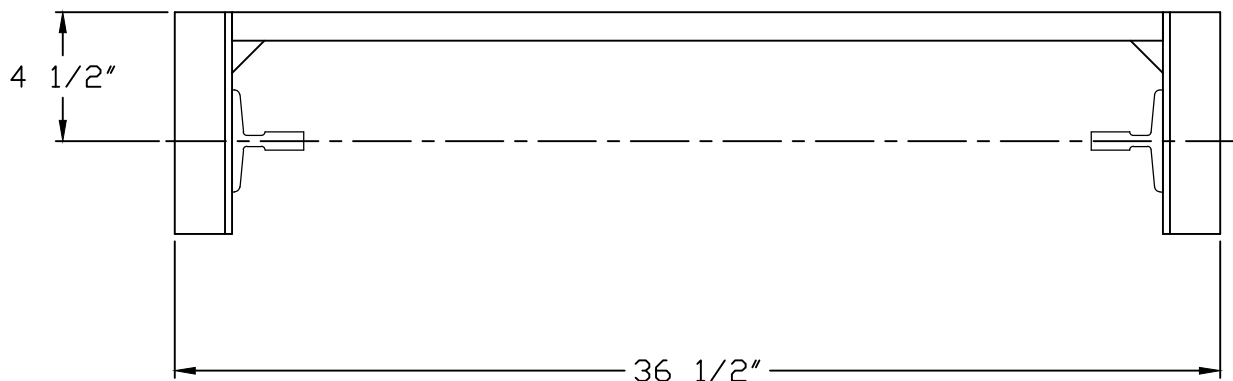


DETAIL PLAN

RAIL BRACKET ASSEMBLY



Waupaca
ELEVATOR COMPANY™

1726 North Ballard Road
Appleton, WI 54911
Phone: 800-238-8739

ELEVATOR CONTRACTOR:			
JOB NAME:		ORDER NUMBER:	
EXCELEVATOR MRL & RMR RAIL BRACKET DETAIL			
DRAWN BY:	DATE:	SIGNATURE OF APPROVAL	DWG. NO. C-002827