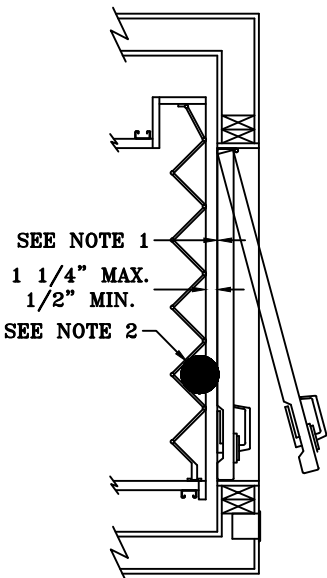
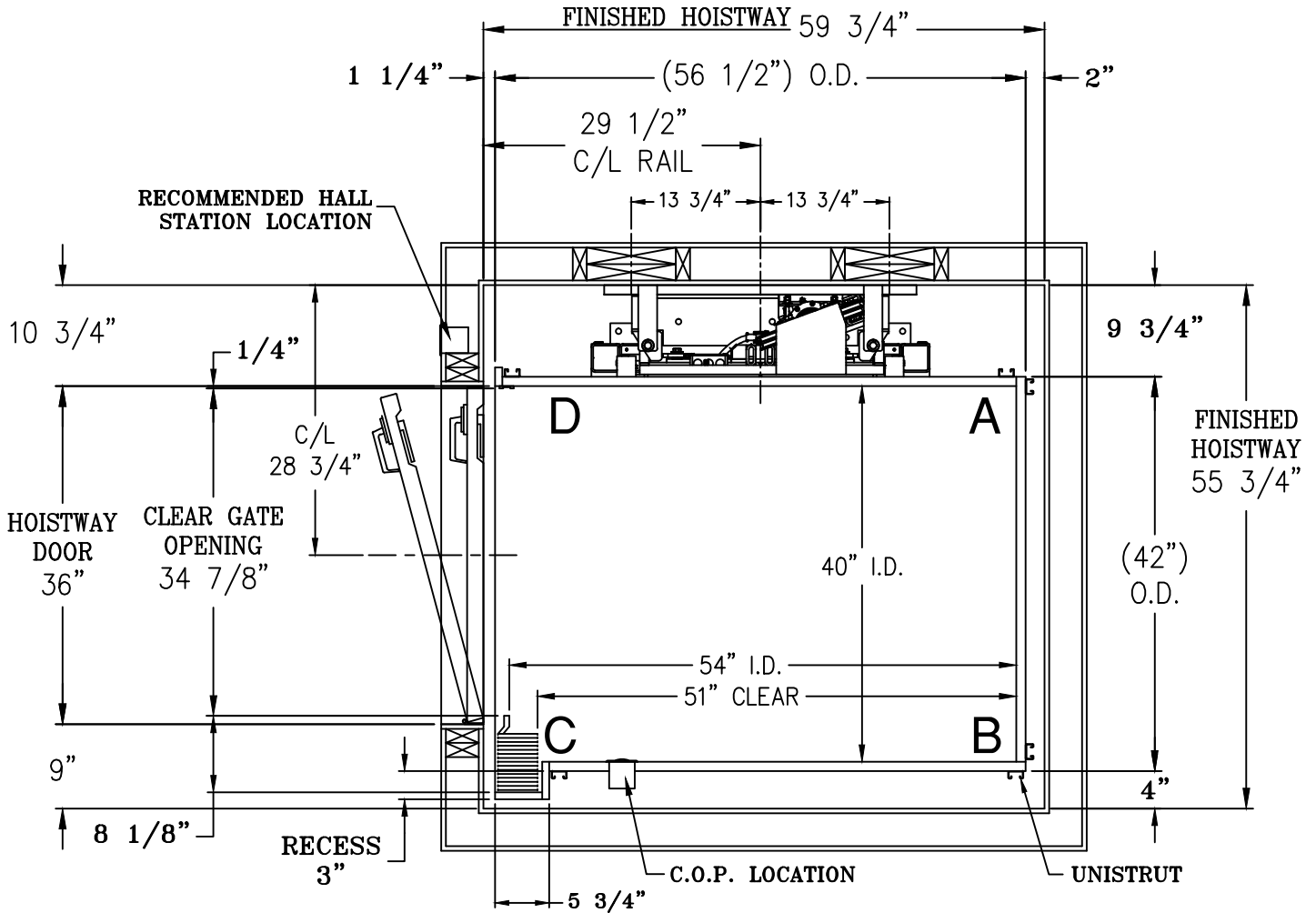


NOTE:

- 1) DISTANCE BETWEEN THE FACE OF THE HOISTWAY DOOR AND EDGE OF LANDING SILL SHALL NOT EXCEED 3/4".
- 2) MUST REJECT 4" DIAMETER BALL AT ALL POINTS WHEN HOISTWAY DOOR AND CAR DOOR ARE IN FULLY CLOSED POSITION.
- 3) HOISTWAY BY OTHERS PER CODE. WALLS TO BE PLUMB AND SQUARE. ALL HOISTWAY DOORS BY OTHERS PER CODE.
- 4) HOISTWAY DOOR INTERLOCKS BY OTHERS.
- 5) FINISHED HOISTWAY = ROUGH FRAMING + DRYWALL + PLASTER + PAINT.



Waupaca
ELEVATOR COMPANY™

1726 North Ballard Road
Appleton, WI 54911
Phone: 800-238-8739

| | | | |
|---|-------|-----------------------|----------------------|
| ELEVATOR CONTRACTOR: | | | |
| JOB NAME: | | ORDER NUMBER: | |
| PACA SERIES HYDRAULIC ELEVATOR CDR OPENING W/ ACCORDION GATE | | | |
| DRAWN BY: | DATE: | SIGNATURE OF APPROVAL | DWG. NO. C-002657 |